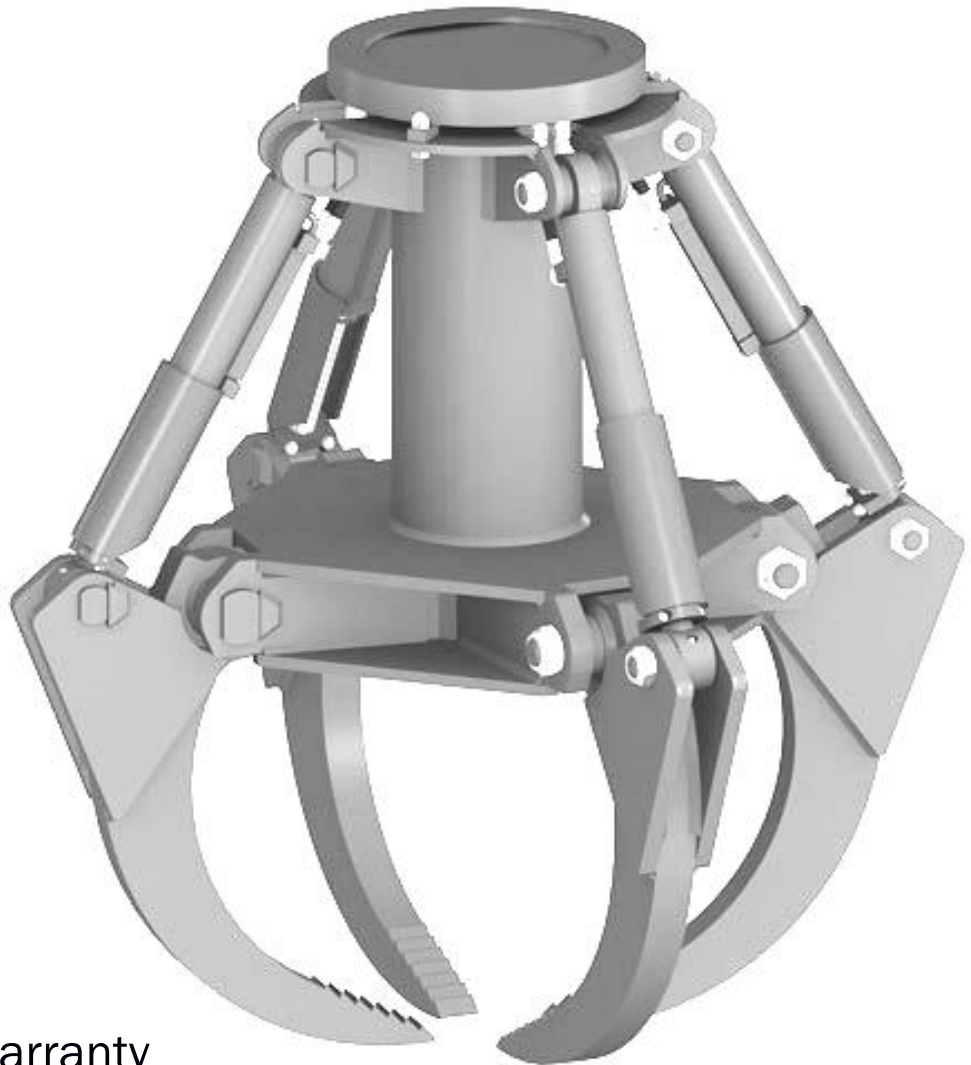


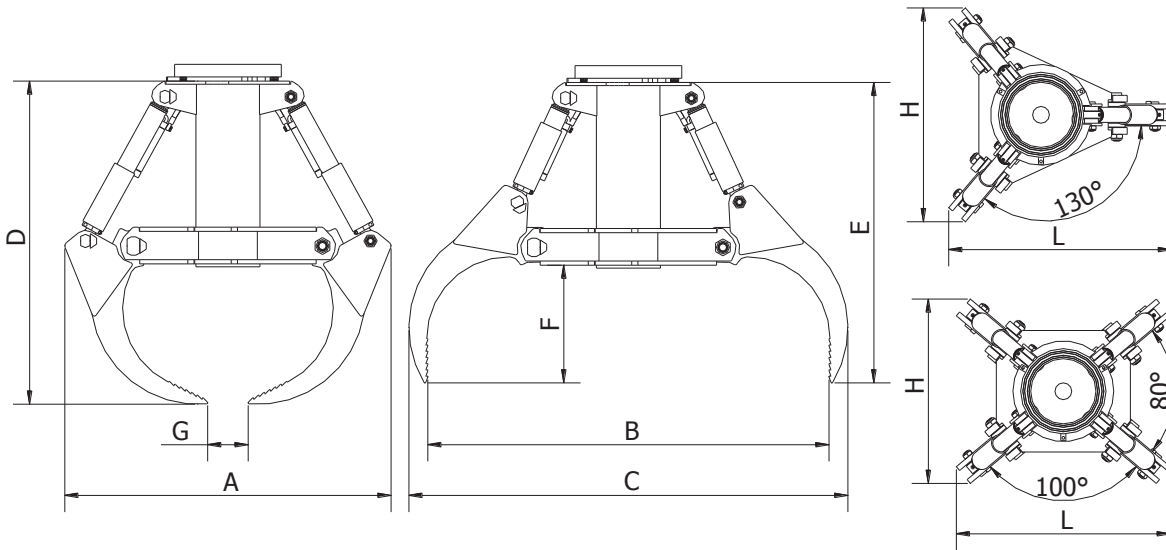
MPM Rock Grapples

MPM Rock Grapples are built specifically for the removal and or movement of large rocks or boulders. The Hardox steel body and tines are the best material for resistance to abrasion and impacts.



- 24-Month Warranty
- Mech. or Hyd. 360° Rotation
- Hardox Body & Tines
- 3 or 4 Tine Configuration

Rock Grapples (Con't)



1

MODEL	WEIGHT	TEETH	SIZES (in.)								
	LBS		N	A	B	C	D	E	F	G	H
MPM 1/3	1,698	3	61	63	70	55	56	21	4	50	52
MPM 1/4	2,161	4	61	63	70	55	56	21	4	43	50
MPM 2/3	1,852	3	61	75	82	61	56	22	8	50	52
MPM 2/4	2,315	4	61	75	82	61	56	22	8	43	50
MPM 3/3	2,161	3	63	98	106	72	58	24	14	64	67
MPM 3/4	2,712	4	63	98	106	72	58	24	14	55	64

MODEL	LOAD CAPACITY	FORCE	PRESSURE		REC OILFLOW		TEMPS		MACHINE
	TONS		TONS	CLOSE	OPEN	CLOSE	OPEN	SEC	TONS
MPM 1/3	10	4.5	4,786	4,351	32	26	1.5	1	20 - 33
MPM 1/4	13	4.5	4,786	4,351	42	37	1.5	1	20 - 33
MPM 2/3	10	4.0	4,786	4,351	32	26	1.5	1	22 - 50
MPM 2/4	13	4.0	4,786	4,351	42	37	1.5	1	22 - 50
MPM 3/3	10	3.1	4,786	4,351	32	26	1.5	1	22 - 50
MPM 3/4	13	3.1	4,786	4,351	42	37	1.5	1	22 - 50