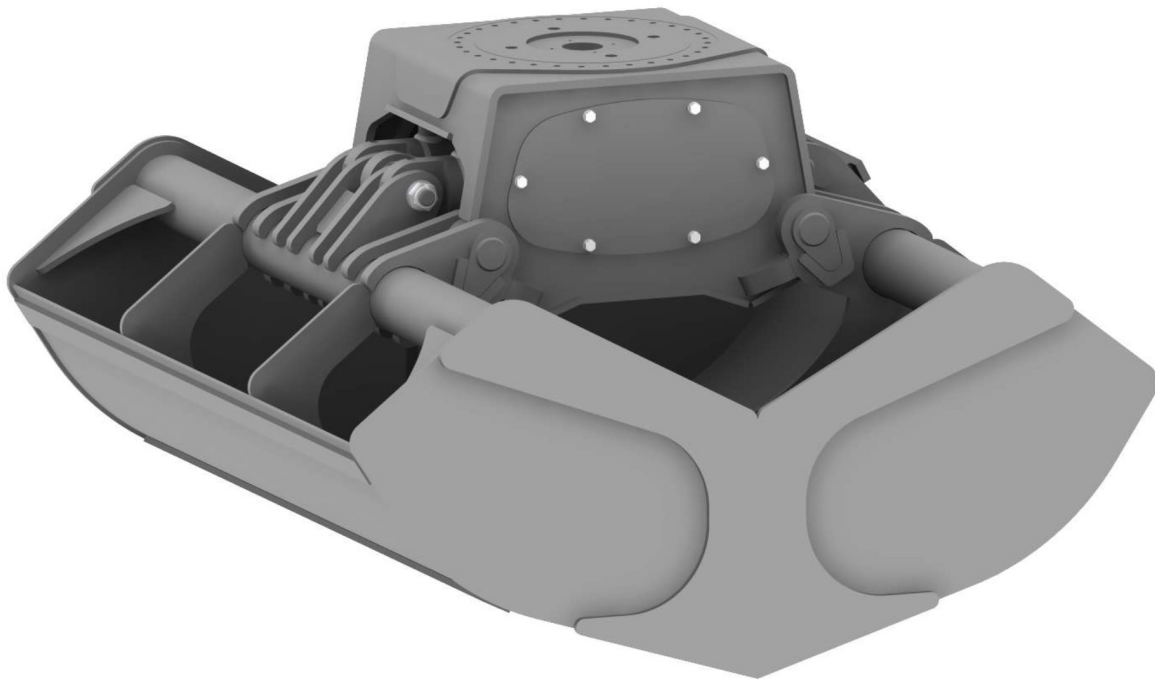


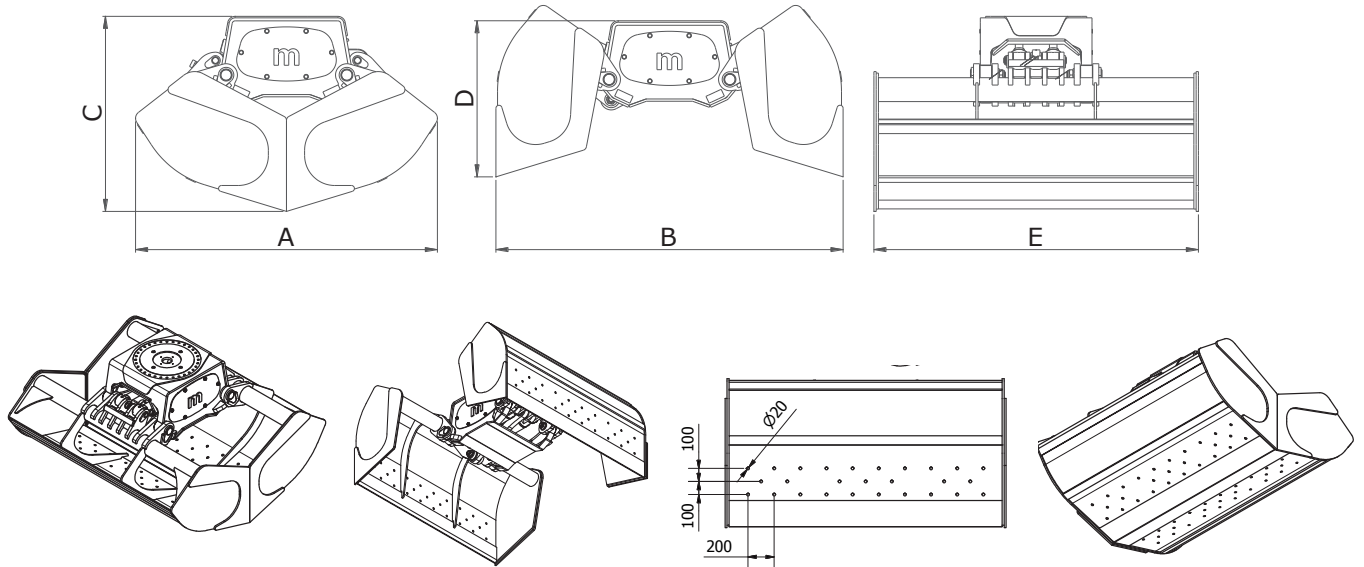
Clamshell Buckets



Moley Clamshell Buckets are designed to endure the toughest jobs. The Hardox 400 body geometry and the positioning of the cylinders allow the bucket to maximize carrying capacity.



- **24-Month Warranty**
- 1.307 - 4.577 yd³ Capacity
- Safety Holding Valve
- Hardened Shaft
- Wear Resistant Blade
- **Hardox 400 Construction**
- 360° Rotation Available
- Fully Protected Cylinder

Clamshell Buckets (Con't)



MODEL	CAPACITY		WEIGHT LBS	TEETH N	CYLINDERS N	SIZES (in.)				
	YD ³ 	YD ³ 				A	B	C	D	E
RBB 4 H	1.307	1.438	3,086	5	2	79	91	51	41	39
RBB 5 H	1.831	1.961	3,307	7	2	79	91	51	41	55
RBB 6 H	2.354	2.615	4,850	7	2	79	89	48	39	77
RBB 7 H	2.877	3.269	5,181	7	2	79	97	53	40	83
RBB 8 H	3.400	3.923	5,732	7	2	83	103	56	41	85
RBB 9 H	3.923	4.577	6,063	9	2	83	103	56	41	96

MODEL	LOAD CAPACITY	FORCE	PRESSURE		OILFLOW		TIME		MACHINE
	TONS	TONS	PSI		G/MIN		SEC		TONS
			CLOSE	OPEN	CLOSE	OPEN	CLOSE	OPEN	
RBB 4 H	5.5	4.8	4,786	4,351	34	34	1.5	1	24 - 44
RBB 5 H	5.5	4.8	4,786	4,351	34	34	1.5	1	28 - 44
RBB 6 H	8.8	10.5	4,786	4,351	71	71	1.5	1	31 - 50
RBB 7 H	8.8	9.6	4,786	4,351	71	71	1.5	1	31 - 50
RBB 8 H	8.8	8.8	4,786	4,351	71	71	1.5	1	33 - 50
RBB 9 H	8.8	8.8	4,786	4,351	71	71	1.5	1	33 - 50