

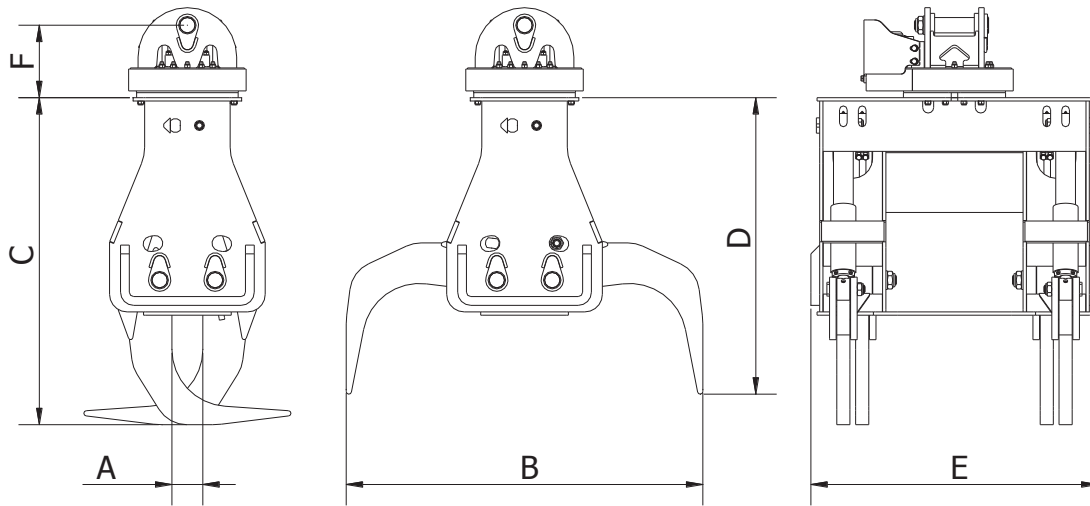
Railroad Tie/Rail Grapples

These units are mounted on railroad track loaders or on truck cranes, which then go on rail trucks that service/build tracks and are used mainly for moving loose pieces of tracks.



- 24-Month Warranty
- Hardened Shaft
- Wear Resistant Blade
- Safety Holding Valve
- Hardox 400

Railroad Tie/Rail Grapples (Con't)



MODEL	WEIGHT		CYLINDERS	SIZES (in.)					
	LBS.	LBS. - OR		N	A	B	C	D	E
RTRG 1	1,213	-	4	10	48	45	37	47	-
RTRG 2	2,535	3,042	4	6	55	54	85	51	13
RTRG 3	2,756	3,263	4	6	64	59	53	51	13

MODEL	LOAD CAPACITY	FORCE	PRESSURE		REC OILFLOW		TIMES		MACHINE	TRUCK CRANE
			PSI		G/MIN		SEC			
	TONS	TONS	CLOSE	OPEN	CLOSE	OPEN	CLOSE	OPEN	TONS	TONS
RTRG 1	8.8	3.4	4,786	4,351	32	32	1.5	1	11-20	13-15
RTRG 2	11	4.4	4,786	4,351	42	37	1.5	1	20-33	-
RTRG 3	11	2.9	4,786	4,351	42	37	1.5	1	26-39	-