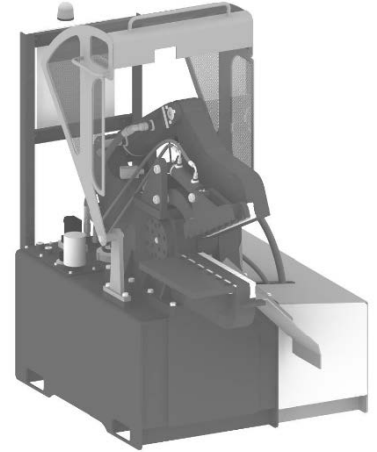
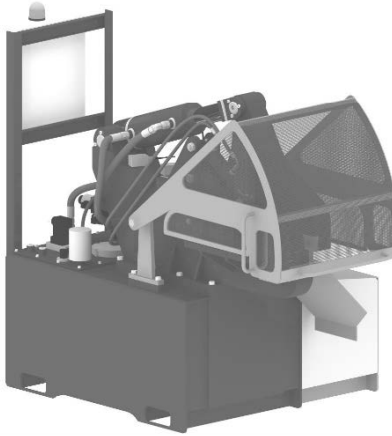


Alligator Shears

Moley Alligator Shears are known for their fast cycle times, making it easy to maximize your time. Available in a variety of sizes to fit every need, our robustly built Alligator Shears have been powerfully designed to stand the test of time!



Whether you're looking to "clean" or prepare non-ferrous materials, or need to cut steel, cable, or rebar – we've got you covered! High quality Moley Alligator Shears are the ideal solution for all your scrap processing and demolition needs.

- ✓ Up to 185 tons cutting force
- ✓ Exclusive bolt supporting system that optimizes the cutting process!
- ✓ 8" - 22" Adjustable Blades
- ✓ Designed specifically for high speeds and pressures
- ✓ Max Pressure 4,350 PSI
- ✓ Steel Blades - 4 sides, hardness: 500HB
- ✓ Automatic Hold Down available



Call Us

(844) 662-4638



**Visit Our
Website**

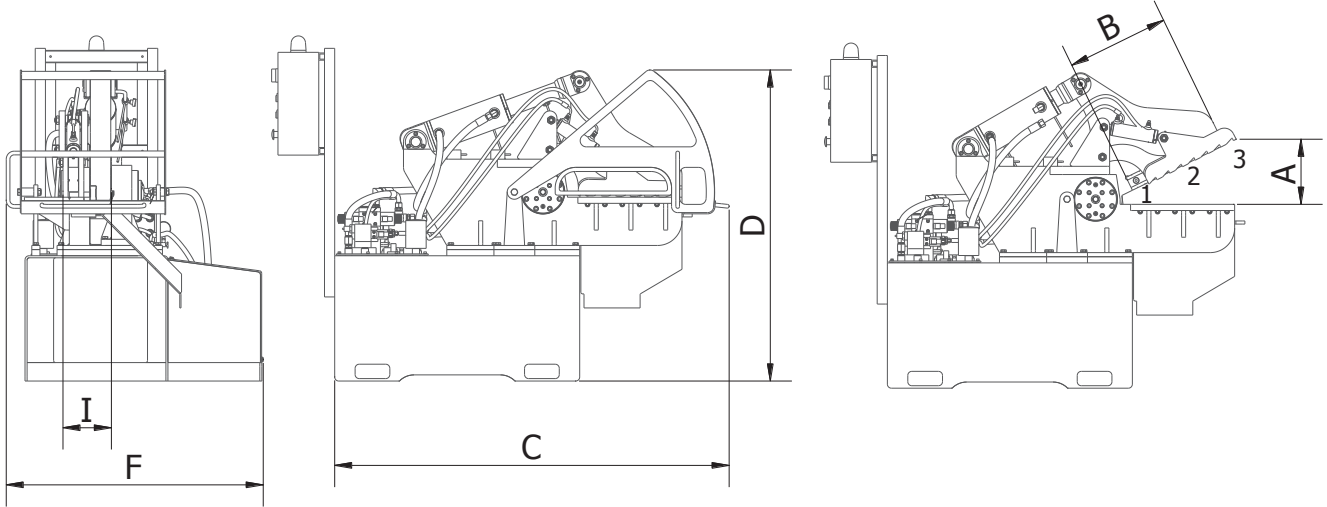
www.moleymagneticsinc.com



**Find Us On
Social Media**



Ideal for Scrap, Demo, and Recycling



MODEL	DRY WEIGHT	TANK CAPACITY	DIMENSIONS (in.)					
	LBS	GALLONS	A	B	C	D	F	I
MC 200 FL	1,146	31.7	6	8	46	41	24	6
MC 350 FL	1,323	31.7	9	14	53	46	24	6

MODEL	POWER		FORCE (T)	PRESSURE	OIL FLOW	CYCLE TIME	CUTTING CYLCES
	Kw	Volt	1/2/3	Max PSI	GPM	Close/Open	Cycles/Min
MCF 350	5.5	380	53/26.5/16.5	4,641	10.8	0.9/1.4	21
MCF 500	7.5	380	172/57/34	4,641	17.2	1.0/1.3	20
MCF 620	29.8	380	289/105/64	4,641	39.6	1.7/0.9	15

MODEL	DRY WEIGHT	TANK CAPACITY	DIMENSIONS (in.)					
	LBS	GALLONS	A	B	C	D	F	I
MCF 350	2,425	63	12	14	59	53	35	9
MCF 500	4,409	106	12	20	74	59	50	9
MCF 620	8,598	188	12	22	78	84	59	12

MODEL	POWER		FORCE (T)	PRESSURE	OIL FLOW	CYCLE TIME	CUTTING CYLCES
	Kw	Volt	1/2/3	Max PSI	GPM	Close/Open	Cycles/Min
MCF 350	5.5	380	53/26.5/16.5	4,641	10.8	0.9/1.4	21
MCF 500	7.5	380	172/57/34	4,641	17.2	1.0/1.3	20
MCF 620	29.8	380	289/105/64	4,641	39.6	1.7/0.9	15



Call Us

(844) 662-4638



Visit Our Website

www.moleymagneticsinc.com



Find Us On Social Media

