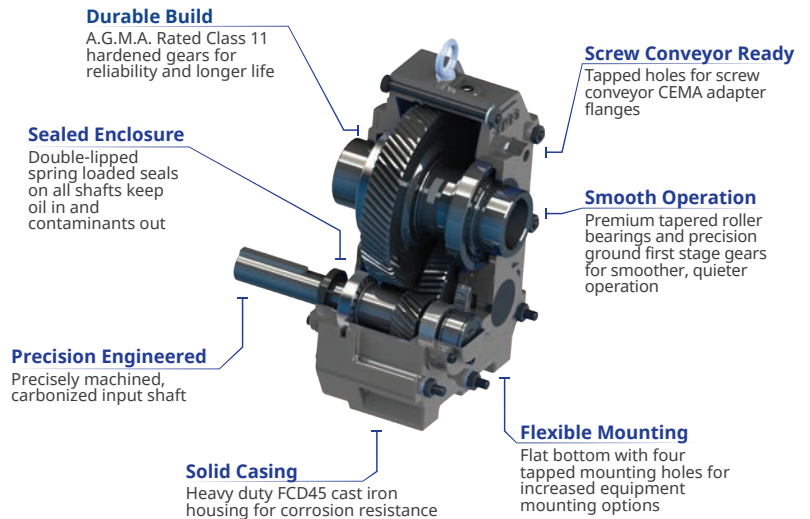


## The Ultimate Shaft Mount Reducer

Fully TXT compatible, screw conveyor ready



WorldWide Electric's Ultimate Shaft Mount Reducer is dimensionally equivalent to the popular TXT series shaft mount reducer to provide the perfect solution for your most demanding applications. Designed to accept all TXT compatible accessories without issue, The Ultimate allows you to take full advantage of your existing safety stock and installed base.

### Product Features

- 9:1, 15:1 and 25:1 ratios
- Box sizes 2 - 9
- Tapered bushing type (bushing not included)
- Premium quality ball and tapered bearings - double lip seals
- Shafts and gears manufactured from high grade steel, case hardened and precision ground to A.G.M.A. standards
- Industrial grade all-cast iron housings
- Extended gear centers and tooth contact
- Metal reinforced double lip, spring loaded oil seals
- Dimensional drop-in for all major makes
- Torque arm included
- 3 year warranty

### Specifications

- Housing: Cast iron
- Box Size: 2-9
- Speed Ratio: 9:1, 15:1, 25:1
- Compatibility: TXT compatible drop-in; Torque arm included; Screw conveyor ready (sizes 2-6)
- Warranty: Three-year warranty

### Available Accessories

WorldWide Electric's industry grade accessories are designed to fit TXT compatible series shaft mount reducers. *Learn more at [wwec.co/SMRGA](http://wwec.co/SMRGA)*



**(716) 434-4023**  
**[moleymagneticsinc.com](http://moleymagneticsinc.com)**